



Stainless Steel Pumps

Model CDX Centrifugal Pumps



Stainless steel single impeller centrifugal pumps. Featuring the one piece volute manufactured using Ebara's unique plasma stamping process.

Specifications

- Single stage centrifugal pump, closed impeller.
- Maximum working pressure: 8 bar
- Maximum liquid temperature: 60 °C (for models 70/05-70/07-90/10)
90 °C (for other models)

Materials

- Pump casing: 304 Stainless Steel
- Impeller: 304 Stainless Steel
- Casing Cover: 304 Stainless Steel
- Shaft: 303 Stainless Steel (wetted part)
- Bracket & Motor Frame: Aluminium
- Mechanical seal: Carbon/Ceramic/NBR

Motor Data

- TEFC, 2 pole, 50 Hz
- Insulation class F
- IP55 protection
- 1 Phase - 230 Volt
- 3 Phase - 230/400 Volt (dual voltage motors)
- In built overload protection for 1 Phase

Range

- 25 mm Ø discharge
- 0.37 to 1.5 kW - 1 Phase
- 0.37 to 1.8 kW - 3 Phase

Supply

- 1.8 m cable with 3 pin plug (1 Phase models only)

Options

- High temperature seal (110 °C)
(Carbon/Ceramic/Viton seal, Viton O' Rings)
- Hard faced seal (SiC/SiC/Viton seal, Viton O' Rings)

Performance Curve

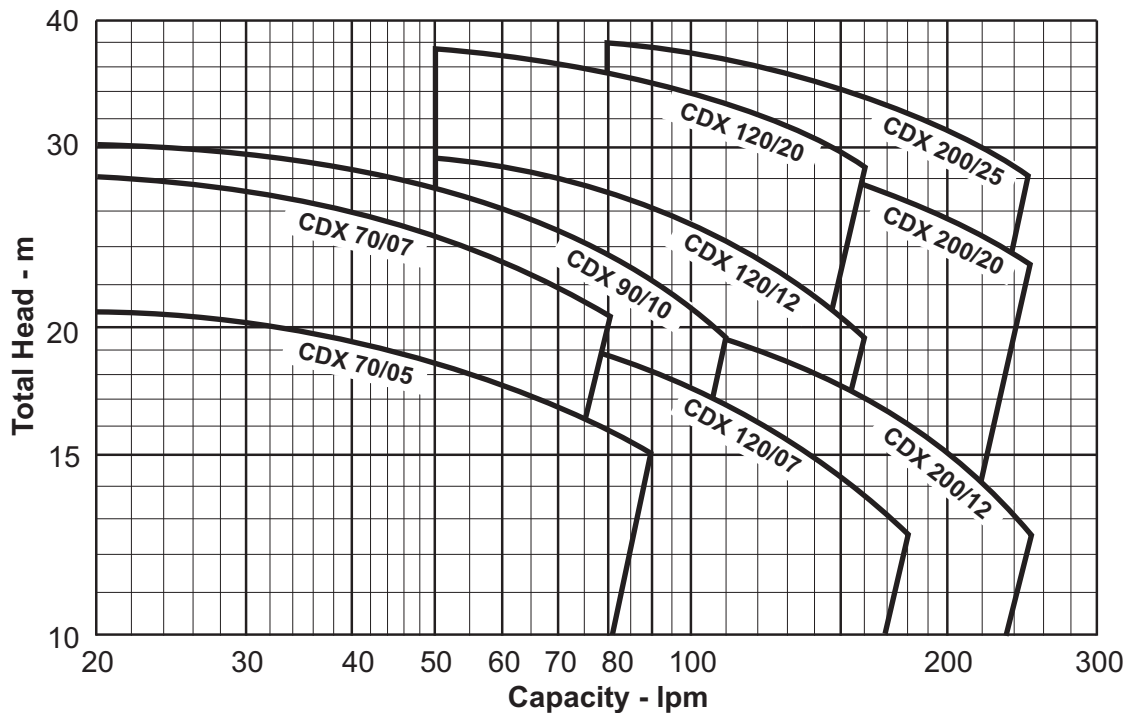
Synchronous Speed: 3000 rpm

Water temp: 20 °C

Applicable standard of test : ISO 9906 Annex A

Model Code

CDXM 120/12
 Motor Size
 Nominal Capacity (70, 90, 120 or 200 lpm)
 Model CDX = 3 Phase
 CDXM = 1 Phase
 (M - Monophase)



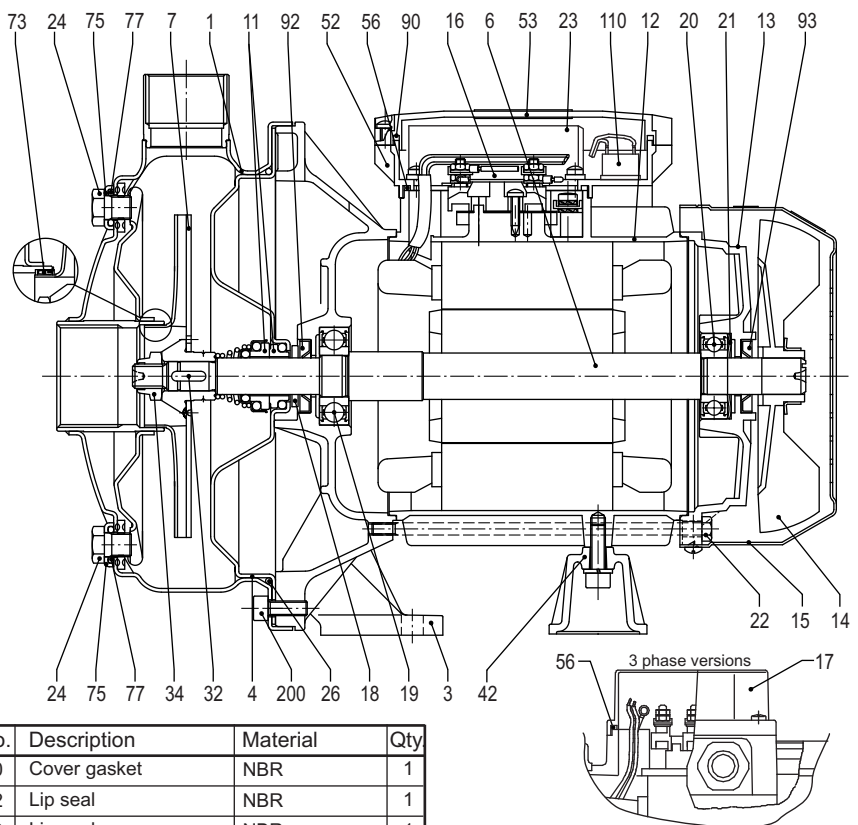
Performance Table

Pump Model	Motor Output	Discharge/Suction Ø mm	Full Load Current		Capacitor (1 Phase models only)	Capacity - lpm														
			1 Phase 230 V	3 Phase 400 V		20	50	80	90	110	130	160	180	210	250					
CDXM/CDX 70/05	0.37 kW	25 / 32 mm	3.4 A	1.4 A	12.5 µF	20.7	18.4	15.9	15											
CDXM/CDX 70/07	0.55 kW	25 / 32 mm	5.0 A	2.0 A	16 µF	28	24.5	20.5												
CDXM/CDX 90/10	0.75 kW	25 / 32 mm	5.6 A	1.9 A	20 µF	30.3	27.2	23.6	22.3	19.5										
CDXM/CDX 120/07	0.55 kW	25 / 32 mm	4.6 A	1.9 A	16 µF		20.5	18.7	18.1	16.8	15.5	13.7	12.5							
CDXM/CDX 120/12	0.9 kW	25 / 32 mm	6.9 A	2.6 A	31.5 µF		29.5	27.1	26.1	24.3	22.4	19.5								
CDXM/CDX 120/20	1.5 kW	25 / 32 mm	9.3 A	4.0 A	40 µF		37.5	35.3	34.6	33.1	31.4	28.6								
CDXM/CDX 200/12	0.9 kW	25 / 40 mm	6.3 A	2.5 A	31.5 µF			20.6	20.2	19.5	18.5	17.1	16.1	14.6	12.5					
CDXM/CDX 200/20	1.5 kW	25 / 40 mm	10.2 A	4.3 A	40 µF			31	30.6	29.7	28.9	27.5	26.6	25.1	23					
CDX 200/25	1.8 kW	25 / 40 mm	—	5.0 A	—			38	37.5	36.4	35.3	33.6	32.4	30.5	28					

Sectional Drawing

Model **CDX**

No.	Description	Material	Qty
1	Casing	304 S/Steel	1
3	Motor bracket	Aluminium	1
4	Casing cover	304 S/Steel	1
6	Shaft with rotor	303 S/St (In contact with liquid)	1
7	Impeller	304 S/Steel	1
11#	Mechanical seal	Ceramic/Carbon/NBR	1
12	Motor frame with stator	-	1
13	Motor cover	Aluminium	1
14	Fan	Polyamide	1
15	Fan cover	Fe P04 (Gal)	1
16	Terminal block	-	1
17	Terminal box cover	Aluminium [2]	1
18	Splash ring	NBR	1
19	Pump side ball bearing	-	1
20	Fan side ball bearing	-	1
21	Adjusting ring	Steel C70	1
22	Tie rod	Fe 420 (Gal)	4
23	Capacitor [1]	-	1
24	Priming/Drain plug	303 S/Steel	2
26#	O-Ring	NBR	1
32	Key	316 S/Steel	1
34	Impeller nut	304 S/Steel	1
42	Motor support	Aluminium	1
52	Terminal box [1]	ABS	1
53	Terminal box cover [1]	ABS	1
56	Box gasket	NBR	1
73#	Casing ring [3]	NBR/304 S/St	1
75	Washer	304 S/Steel	2
77#	O-ring	NBR	2



No.	Description	Material	Qty
90	Cover gasket	NBR	1
92	Lip seal	NBR	1
93	Lip seal	NBR	1
110	Protector [4]	-	1
200	Screw	Stainless steel A2 UNI7323	8

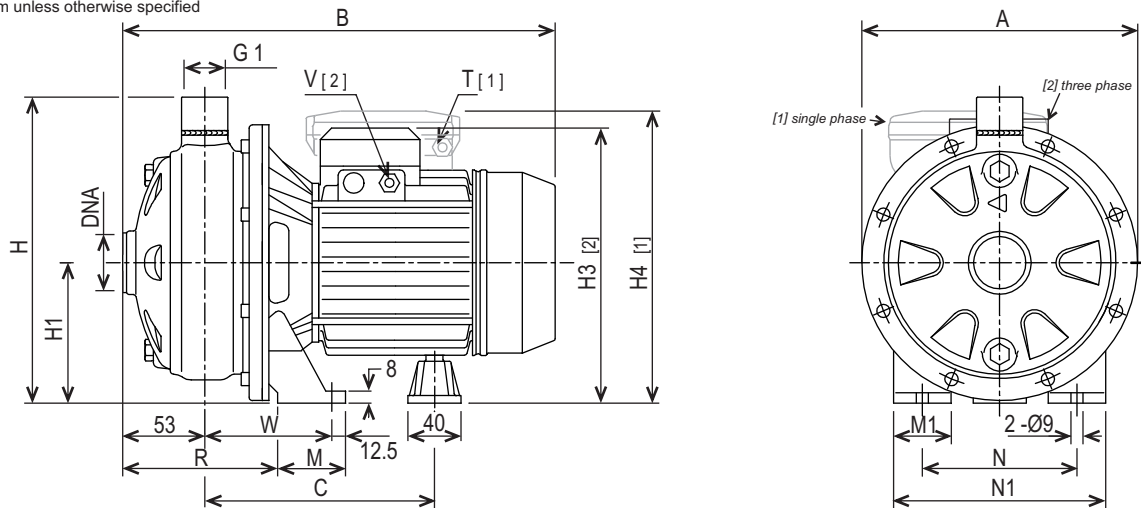
Optional materials available
Carbon/Ceramic/Viton or SiC/SiC/Viton seal
Viton O-rings & Viton /AISI 304 Casing ring

1 - Single phase only 2 - Three phase only 3 - 70/05,70/07, 90/10 only 4 - 1.5 kW single phase only

Dimensions

Model **CDX**

Units: mm unless otherwise specified



Model CDXM/CDX	Dimensions																Approx. Weight kg
	A	B [1] [2]	C	H	H1	H3	H4	M	M1	N	N1	R	T	V	W	DNA (n)	
70/05	208	321 / 320	181	229.5	106	207	216	50	38	120	160	108	PG 11	PG 11	93	G1 ¼	9
70/07	208	321 / 320	181	229.5	106	207	216	50	38	120	160	108	PG 11	PG 11	93	G1 ¼	10
90/10	208	321 / 320	181	229.5	106	207	216	50	38	120	160	108	PG 11	PG 11	93	G1 ¼	11
120/07	208	321 / 320	181	229.5	106	207	216	50	38	120	160	108	PG 11	PG 11	93	G1 ¼	10
120/12	208	321 / 332	181	229.5	106	207	235	50	38	120	160	108	PG 11	PG 11	93	G1 ¼	12
120/20	231	347 / 359	199	250	118	237	249	55	40	140	180	105.5	PG 13.5	PG 11	95	G1 ¼	17
200/12	208	321 / 332	181	229.5	106	207	235	50	38	120	160	108	PG 13.5	PG 11	93	G1 ½	12
200/20	208	347 / 359	199	229.5	106	225	237	55	40	140	180	105.5	PG 13.5	PG 11	95	G1 ½	16
200/25	232	- / 359	199	250	118	237	-	55	40	140	180	105.5	-	PG 11	95	G1 ½	16

Specifications subject to change without notice



EBARA PUMPS AUSTRALIA PTY. LTD.

Data Sheet
CDX 13-03