

IWAKI
MAGNETIC
DRIVE
PUMPS

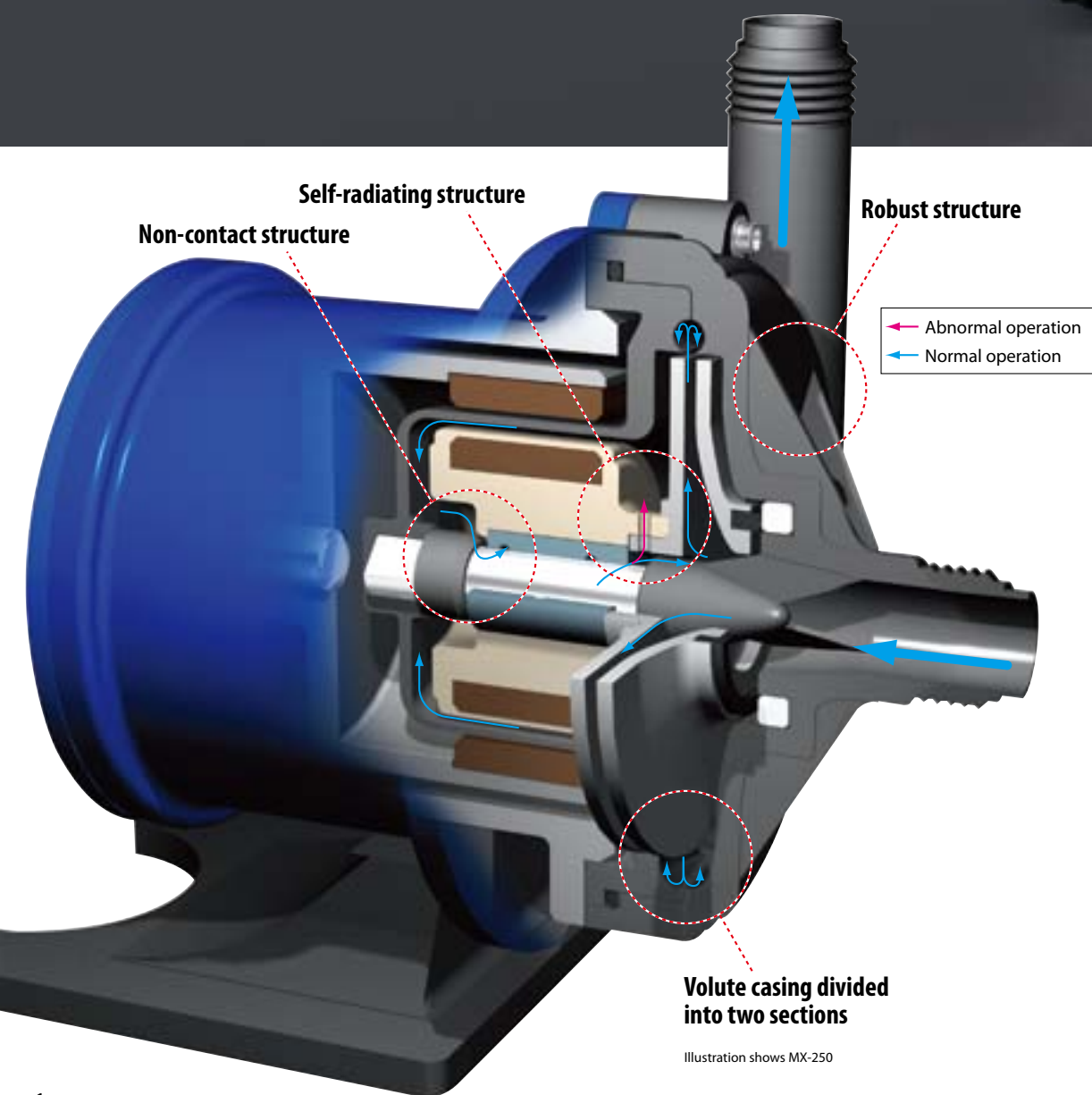
MX



Even better dry-running resistance and efficiency than previous models. Iwaki MX magnetic drive pumps - reliable & energy efficient.

The MX Series represents the latest state of the art design in plastic magnetic drive pumps to meet the most severe of operating conditions.

When fitted with a carbon bearing the MX will allow for brief periods of dry running. The new "self radiating structure" (PAT.) in addition to the existing proven non contact principle and front and rear supported spindle greatly improves the pumps ability to withstand some cavitation and running against closed discharge valve. Our innovative design has achieved higher efficiency. MX series pumps are highly recommended for use in various production processes such as filtering, spraying, washing and etching in surface treatment processes.



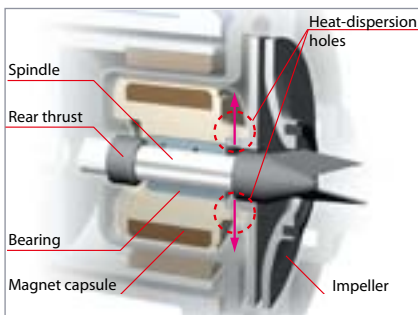
- An improved mechanical strength design allows operation under abnormal conditions and results in reduction of running cost and maintenance cost.
- The split-volute casing significantly improves efficiency over previous versions.
- Simple yet robust construction allows easy maintenance.



Self-radiating structure (PAT.)

Through heat-dispersion holes provided in the fixed portions of the impeller and the magnet capsule, the liquid around the spindle and the bearing is forced to circulate so that heat generated by sliding can be reduced effectively. Thus, thermal deformation and melt are prevented.

(Except MX-70, 100)



Non-contact structure

By installing the driving magnet and the driven magnet in an inventive way, the movement of the magnet capsule is controlled by magnetic force to prevent the rear thrust and the rear portion of the bearing coming into contact with each other continuously even during

dry running. This structure reduces heat generation and secures lubricant routes. (Except MX-70, 100)

Volute casing divided into two sections (PAT.)

The MX series is the first resin magnet pump which uses the pump casing divided into the front casing and the rear casing to form a vortex chamber as an ideal form. Therefore, the internal leak phenomenon, which means that the liquid getting out of the impeller returns to the pump casing and is suppressed to a minimum and the liquid is efficiently guided to the discharge port to enhance overall efficiency. (Except MX-400)



Front casing

Rear casing

Robust structure

All stress bearing portions, such as the front and rear casings, are reinforced by means of ribs to improve the pressure resistance and the mechanical strength of the pump.

The bearing is not only fixed by conventional press fit but is also sandwiched between the abutting portion in the depth of the magnet capsule and the rear end of the impeller to improve its reliability under high temperature.

(Except MX-70, 100)

MX-402(H) and 403(H) models: an unplugging preventive lock pin is adopted for ensuring more steady securing.



Front casing of type 100 and 402/403



MX-401

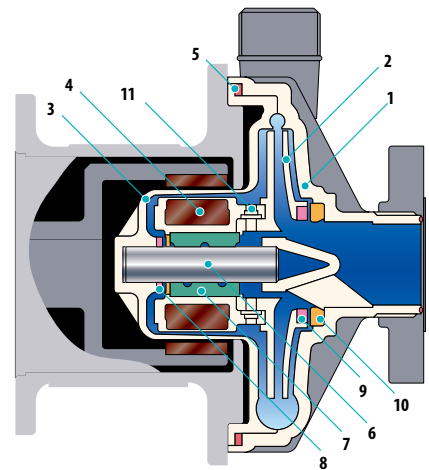
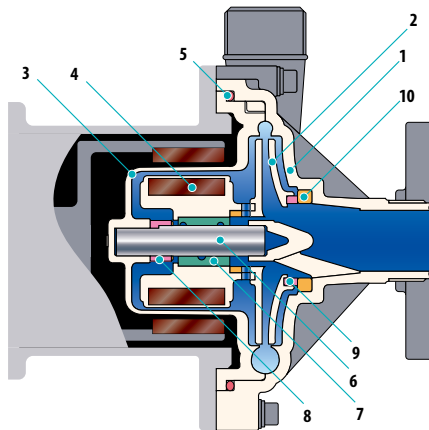
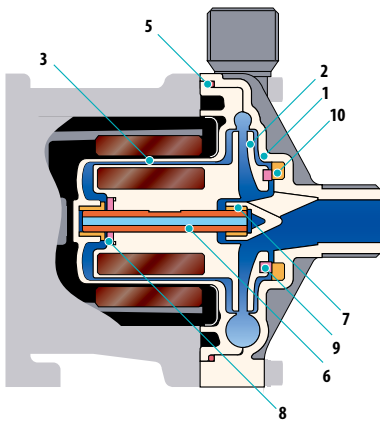
MX-250

Wet end materials

■ MX-70,100

■ MX-250 to 401

■ MX-402 to 403H



Model	MX-70	MX-100	MX-250 to 403H		MX-250 to 401
Mark	V(E)		CV(CE)	RV(RE)	AV(AE)
1 Front casing	GFRPP		GFRPP		
2 Impeller	CFRPP		GFRPP		
3 Rear casing	GFRPP		GFRPP		
4 Magnet capsule	-		PP		
5 O ring <small>Note 1</small>	FKM(EPDM)		FKM(EPDM)		
6 Spindle	Alumina ceramic		Alumina ceramic		
7 Bearing	CFRPPS	PTFE	Carbon	PTFE	Alumina ceramic
8 Rear thrust	-		CFRPPS (MX-402 to 403H: CFRPEEK)		
9 Mouth ring	-	PTFE	PTFE		
10 Thrust/Liner ring	Alumina ceramic		Alumina ceramic		
11 Lock pin	-		GFRPPS(Only available type 402 to 403H)		-

Note 1: An O-ring made of AFLAS® is also available

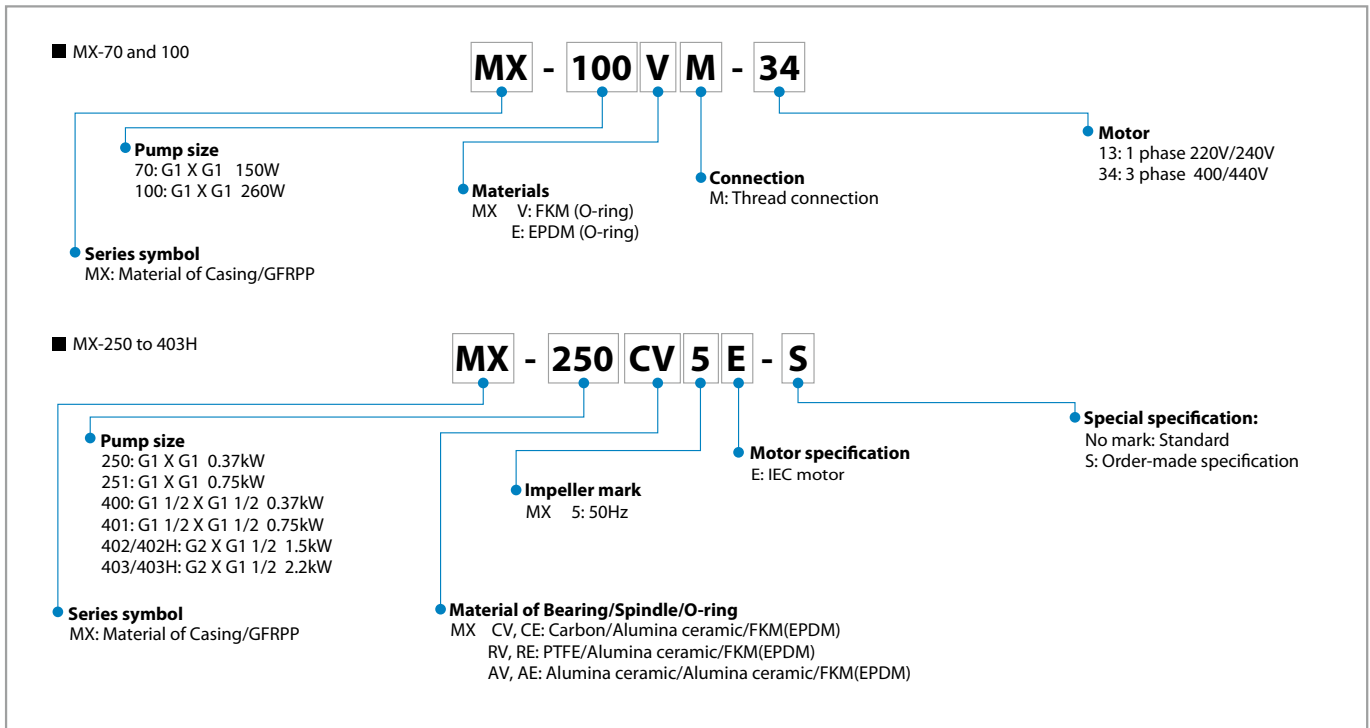


MX-403

MX-402

MX-100

Pump identification



Specifications

Model	Connection Suction X Discharge	Limit of S.G.	Standard capacity L/min - m	Maximum capacity L/min	Motor kW	Mass kg
MX-70	G1 x G1 ^{Note 2}	1.2	50 - 5.4	90	0.15	6.5
MX-100	G1 x G1 ^{Note 2}	1.2	70 - 6	110	0.26	8.2
MX-250	G1 x G1	1.2	50 - 14	150	0.37	7.7
MX-251	G1 x G1	1.0	80 - 19	150	0.75	10.2
MX-400	G1 1/2 x G1 1/2	1.2	100 - 10.5	280	0.37	6.2
MX-401	G1 1/2 x G1 1/2	1.2	150 - 14.5	320	0.75	10.2
MX-402	G2 x G1 1/2	1.2	200 - 20	450	1.5	13.5
MX-402H	G2 x G1 1/2	1.0	100 - 30	160	1.5	13.5
MX-403	G2 x G1 1/2	1.2	250 - 23	500	2.2	14.5
MX-403H	G2 x G1 1/2	1.0	100 - 35	300	2.2	14.5

Note 1) The specific gravity limit values shown above are with maximum discharges. The specific gravity limit varies with the discharge. For details, please contact us.

Note 2) 26mm tube connection option available on the MX-70 and MX-100.

Note 3) AV(AE) type is different in discharge capacity. For details, please contact us.

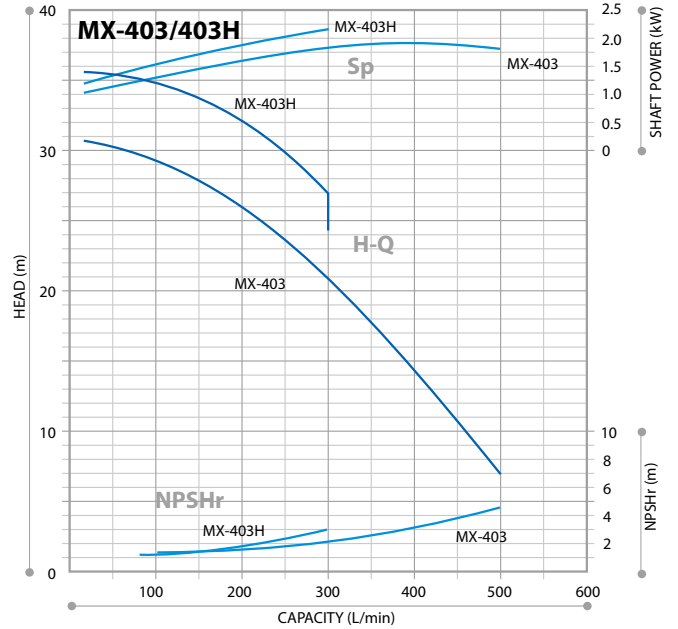
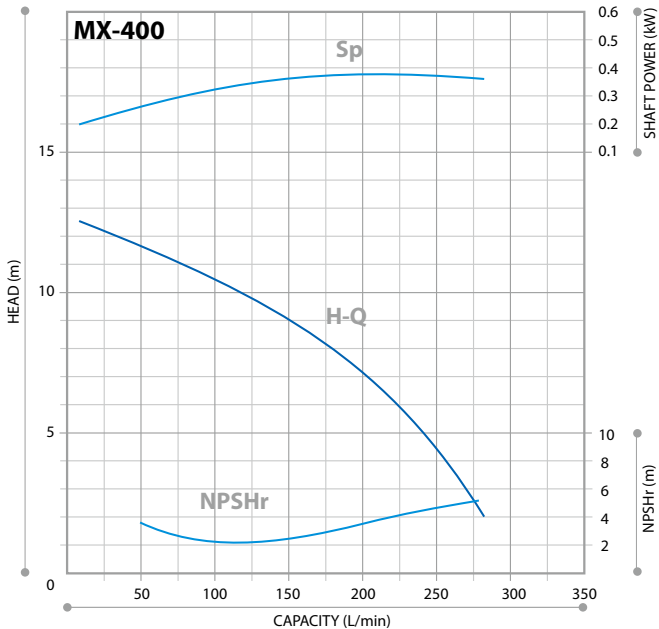
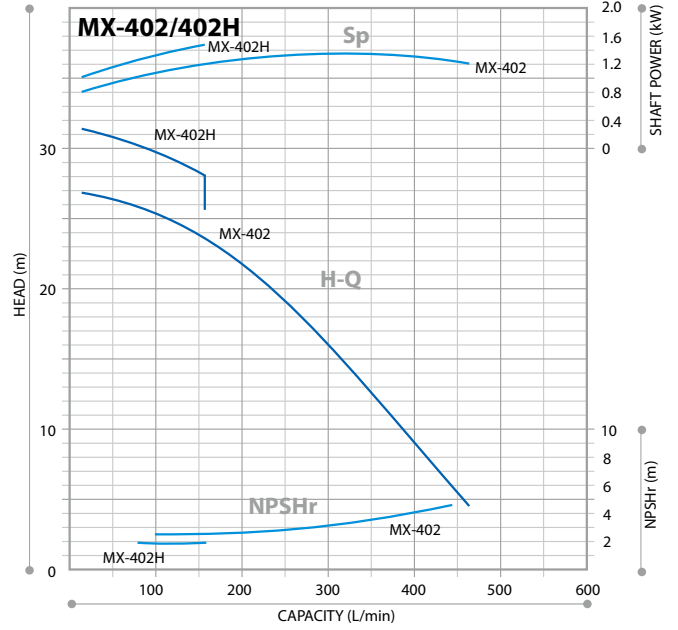
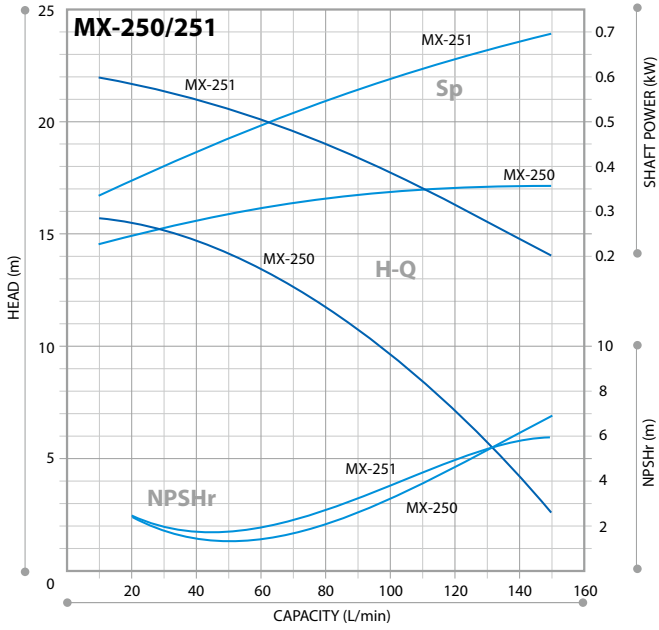
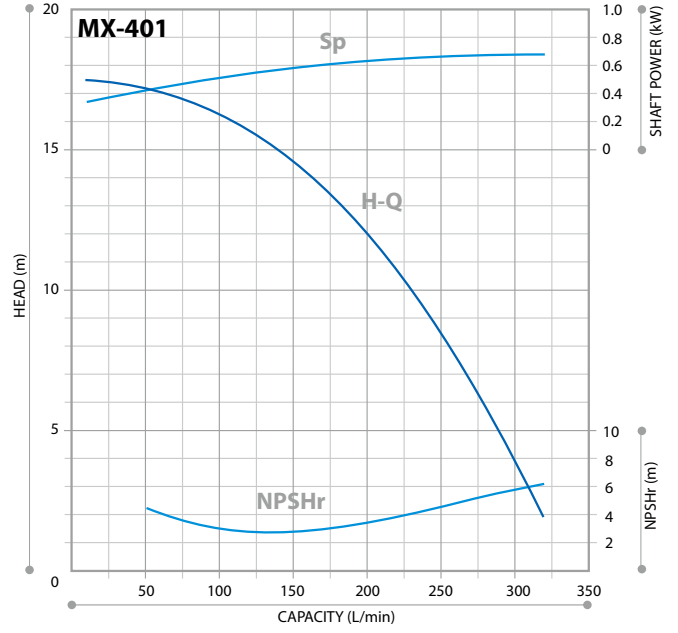
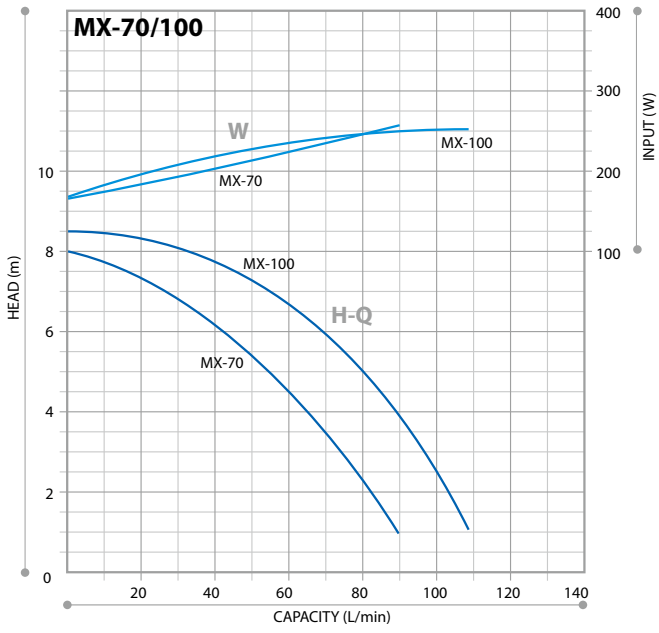
Note 4) Less motor except MX-70 and 100.

Common specifications

• Range of liquid temperature : 0 to 80°C (10 to 80°C in case AFLAS® O-rings are used.) • Range of ambient temperature : 0 to 40°C.

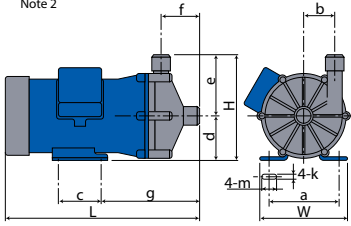
Performance curves

50Hz

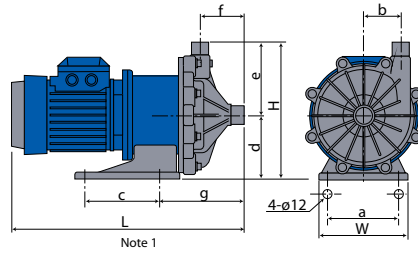


Dimensions

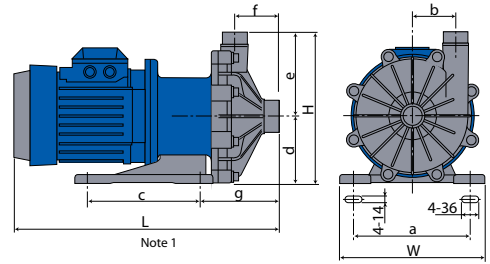
■ **MX-70, 100**
Note 2



■ **MX-250 to 401**



■ **MX-402, 402H, 403, 403H**



Models	W	H	L	a	b	c	d	e	f	g	k	m
MX-70	130	155	258.5	110	48	40	65	90	53	159.5	7	11
MX-100	150	175	319.5	110	51	70	75	100	65	162	9	27
MX-250	160	247.5	422	130	65	130	115	132.5	82.5	155.5	—	—
MX-251	160	247.5	458.5	130	65	130	115	132.5	82.5	163.5	—	—
MX-400	140	219	423.5	110	54	98	95	124	81	144	—	—
MX-401	160	249	473	130	72	130	115	134	97	178	—	—
MX-402, 402H, 403, 403H	260	274	478.5	208	80	200	120	154	83	151	—	—

Note 1: The dimension may differ with the type of motor installed.
 Note 2: MX-70 and MX-100 shows thread type in the above dimensions, Please contact us for tube connection type.

Optional accessories

Iwaki dry running protector DR series

Model DR is electric current sensing type dry running protector. It detects the decreased load current (lower limit) to stop the pump when it runs dry or runs with air sucking in. It can detect over-load, too.



DR-20

- Current figure to be set is indicated on LCD.
- Both top/bottom figures can be set.
 - Top: Over-load
 - Bottom: Dry running, air sucking-in operation, operation with suction side closed
- Built-in current transformer
- DIN rail mounting
- It is unable to use DR when inverter is employed in the system.

Specification

50/60Hz

Model	DR-20	
Motor power	380 to 440V three phase	
Applied motor	0.75 to 15kW	
Power control	100 to 240V single phase	
Power	V	200 to 240V ±10%single phase
	Input	3.5W
Detective current	0.5 to 32.0A	
Current transformer(CT)	Built-in	
Outer dimension	D80 X W153 X H122	

Iwaki process magnetic drive pump series

MX-F series

Withstands difficult operating conditions and offers high efficiency

Max. discharge capacity: 510 L/min
 Max. discharge head: 30 m
 Main materials: CFRETFE



SMX series

Versatile self-priming magnetic drive pump with enhanced durability under abnormal operation

Max. discharge capacity: 440 L/min
 Max. head: 25.5 m
 Main materials: GFRPP, CFRETFE



MXM series

Magnetic drive pumps with an excellent balance of features and performance

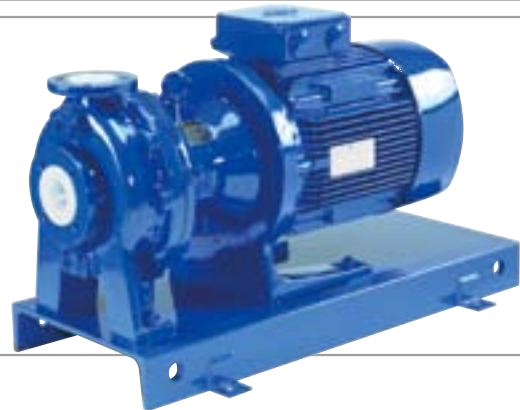
Max. discharge capacity: 600 L/min
 Max. head: 29 m
 Main materials: CFRETFE



MDM series

Magnetic drive processing pump with dry running capability

Max. discharge capacity: 1.4 m³/min
 Max. head: 74 m
 Main materials: CFRETFE, PFA



IWAKI CO., LTD.

6-6 Kanda-Sudacho 2-chome Chiyoda-ku Tokyo 101-8558 Japan TEL : (81)3 3254 2935 FAX : 3 3252 8892

www.iwakipumps.jp

The posting and copying from this catalogue without permission is not accepted firmly.

European office : IWAKI Europe GmbH
 Germany : IWAKI Europe GmbH
 Holland : IWAKI Europe GmbH (Netherlands Branch)
 Italy : IWAKI Europe GmbH (Italy Branch)
 Spain : IWAKI Europe GmbH (Spain Branch)
 Belgium : IWAKI Belgium N.V.
 Denmark : IWAKI Nordic A/S
 Finland : IWAKI Suomi Oy
 France : IWAKI France S.A.
 Norway : IWAKI Norge AS
 Sweden : IWAKI Sverige AB
 Switzerland : IWAKI (Schweiz) AG
 U.K. : IWAKI Pumps (UK) Ltd.

TEL: (49)2154 9254 0 FAX: 2154 9254 48
 TEL: (49)2154 9254 30 FAX: 2154 9254 55
 TEL: (31)547 293 160 FAX: 547 292 332
 TEL: (39)0444 371 115 FAX: 0444 335350
 TEL: (34)93 37 70 198 FAX: 93 47 40 991
 TEL: (32)13 67 02 00 FAX: 13 67 20 30
 TEL: (45)48 24 2345 FAX: 48 24 2346
 TEL: (358)9 2745810 FAX: 9 2742715
 TEL: (33)1 69 63 33 70 FAX: 1 64 49 92 73
 TEL: (47)23 38 49 00 FAX: 23 38 49 01
 TEL: (46)8 511 72900 FAX: 8 511 72922
 TEL: (41)26 674 93 00 FAX: 26 674 93 02
 TEL: (44)1743 231363 FAX: 1743 366507

U.S.A. : IWAKI America Inc.
 Argentina : IWAKI America Inc. (Argentina Branch)
 Singapore : IWAKI Singapore Pte Ltd.
 Indonesia : IWAKI Singapore (Indonesia Branch)
 Malaysia : IWAKI Sdn. Bhd.
 Australia : IWAKI Pumps Australia Pty Ltd.
 Hong Kong : IWAKI Pumps Co., Ltd.
 China : GFTZ IWAKI Engineering & Trading Co., Ltd.
 : IWAKI Pumps (Shanghai) Co., Ltd.
 Korea : IWAKI Korea Co., Ltd.
 Taiwan : IWAKI Pumps Taiwan Co., Ltd.
 Thailand : IWAKI (Thailand) Co., Ltd.
 Vietnam : IWAKI Pumps Vietnam Co., Ltd.

TEL: (1)508 429 1440 FAX: 508 429 1386
 TEL: (54)11 4745 4116
 TEL: (65)6316 2028 FAX: 6316 3221
 TEL: (62)21 6906606 FAX: 21 6906612
 TEL: (60)3 7803 8807 FAX: 3 7803 4800
 TEL: (61)2 9899 2411 FAX: 2 9899 2421
 TEL: (852)2607 1168 FAX: 2607 1000
 TEL: (86)20 84350603 FAX: 20 84359181
 TEL: (86)21 6272 7502 FAX: 21 6272 6929
 TEL: (82)2 2630 4800 FAX: 2 2630 4801
 TEL: (886)2 8227 6900 FAX: 2 8227 6818
 TEL: (66)2 322 2471 FAX: 2 322 2477
 TEL: (84)613 933456 FAX: 613 933399

()Country codes

⚠ Caution for safety use: Before use of pump, read instruction manual carefully to use the product correctly.
 Actual pumps may differ from the photos. Specifications and dimensions are subject to change without prior notice. For further details please contact us.

⚠ Legal attention related to export.
 Our products and/or parts of products fall in the category of goods contained in control list of international regime for export control. Please be reminded that export license could be required when products are exported due to export control regulations of countries.

