

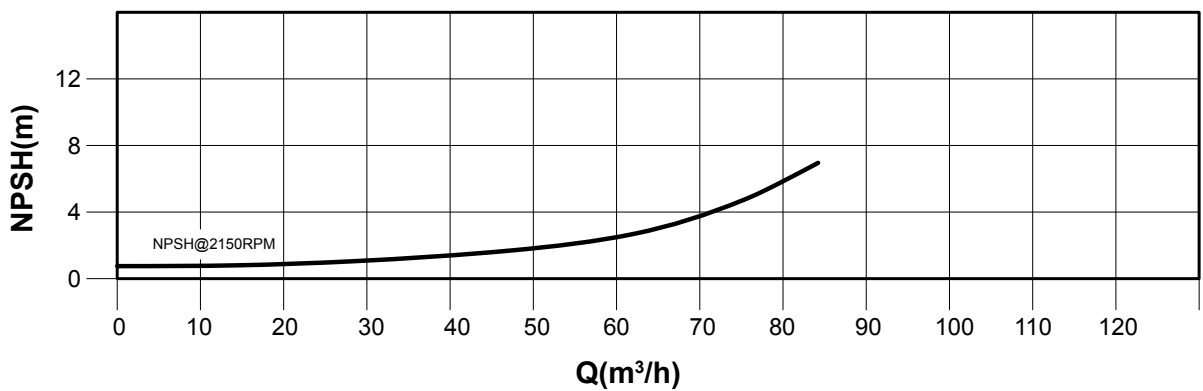
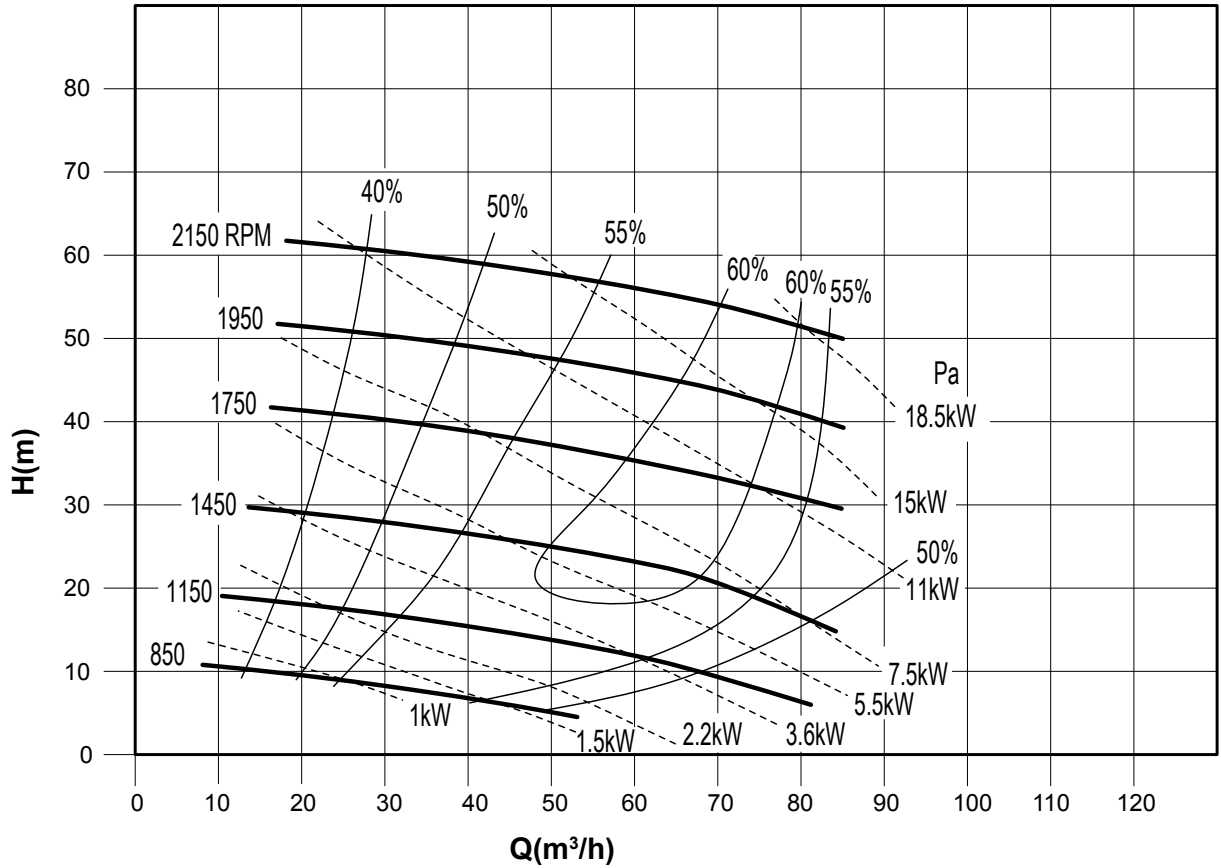
MST

**HEAVY DUTY SELF PRIMING
SOLIDS HANDLING TRASH PUMP**



SU SERIES

PERFORMANCE DATA



Net Weight	214kg
Impeller Dia.	279.4mm
Max. Solids	20.63mm

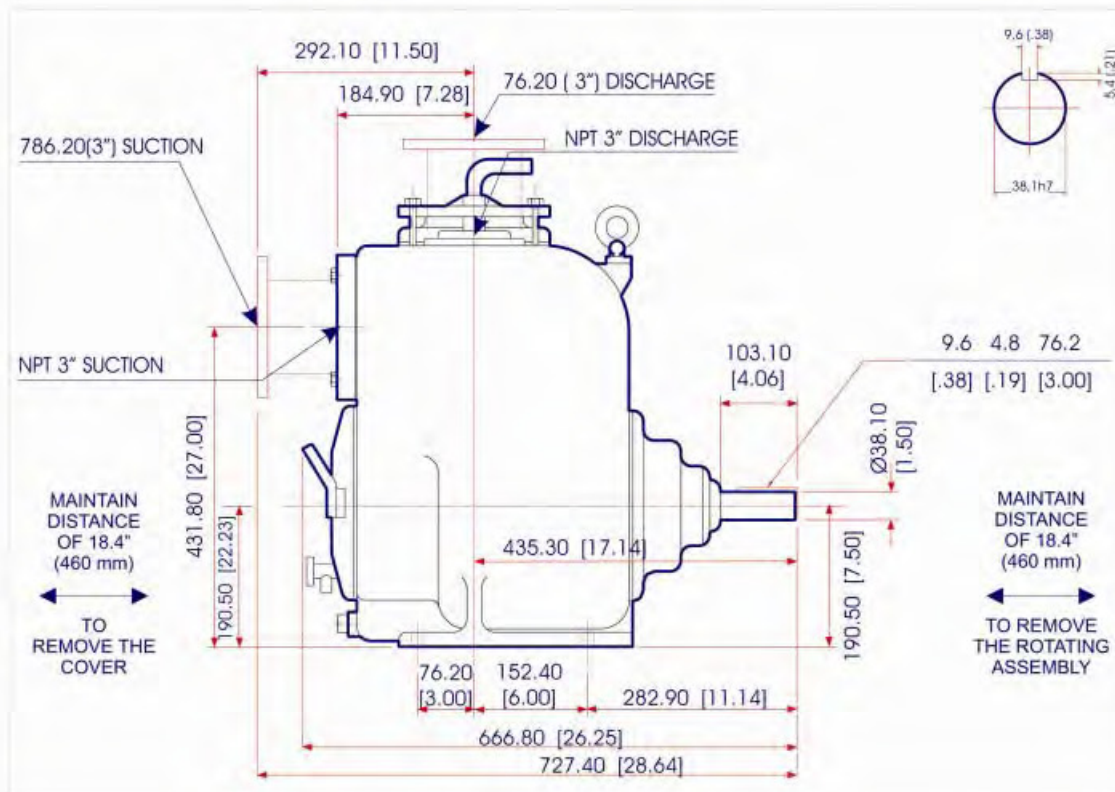
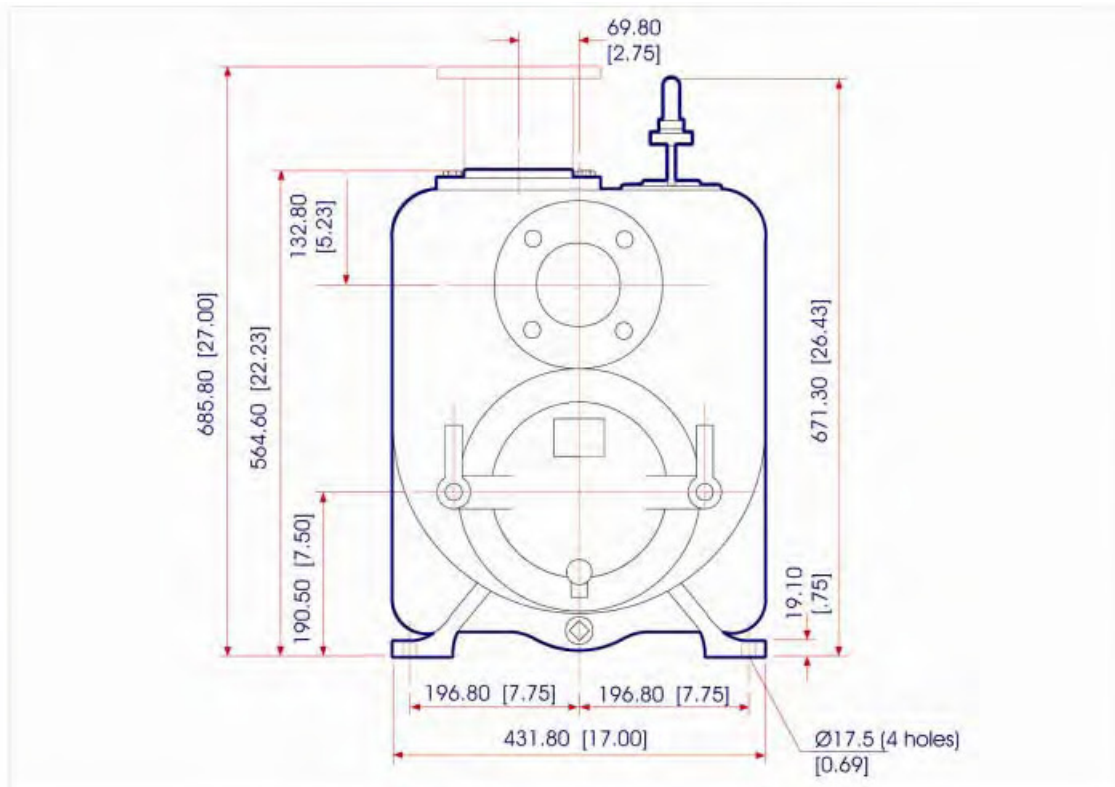
Speed (RPM)	Max Self Priming (m)
850	2.3
1150	2.9
1450	4.5
1750	7.6
1950	7.6
2150	7.6

MODEL
SU3

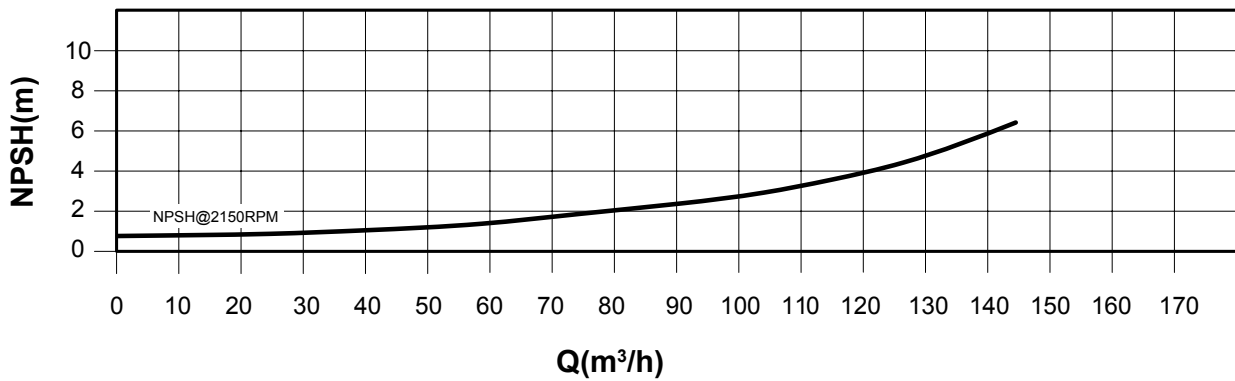
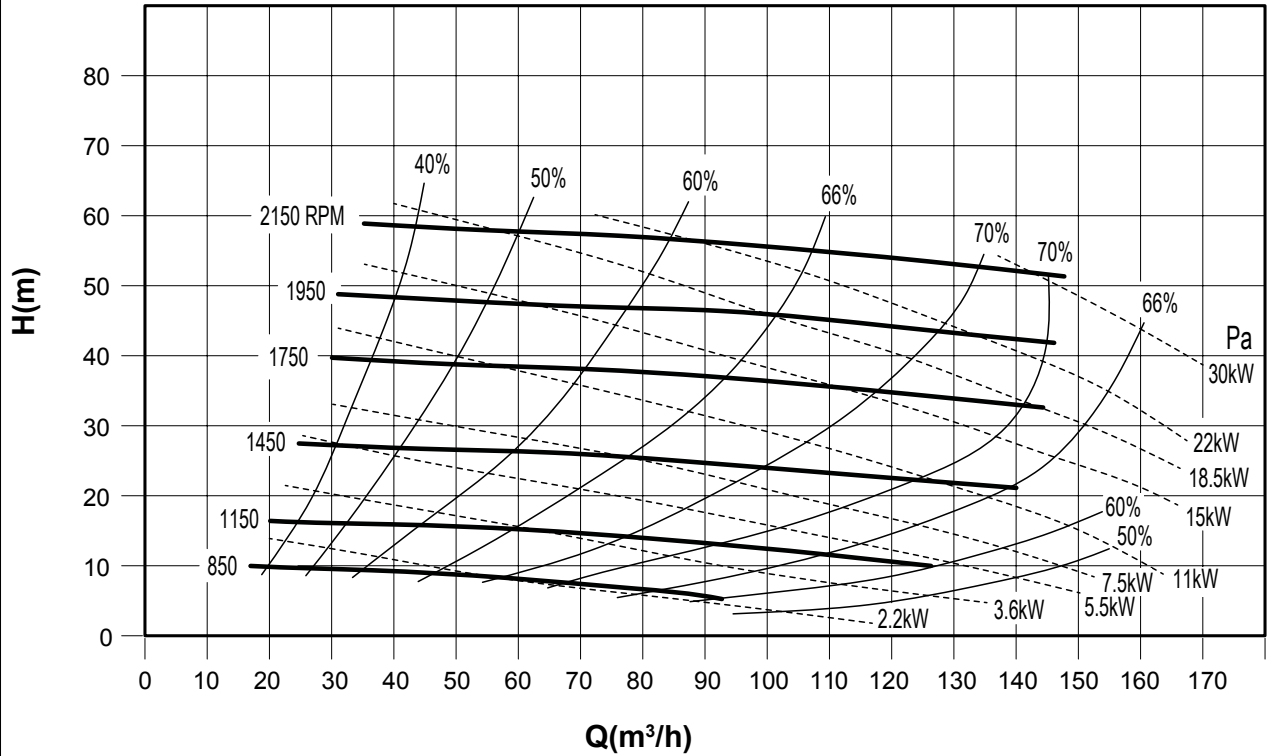
"SU" Series
Self Priming Solids
Handling Trash Pumps

MST

TECHNICAL DATA



PERFORMANCE DATA



Net Weight	272kg
Impeller Dia.	279.4mm
Max. Solids	28.57mm

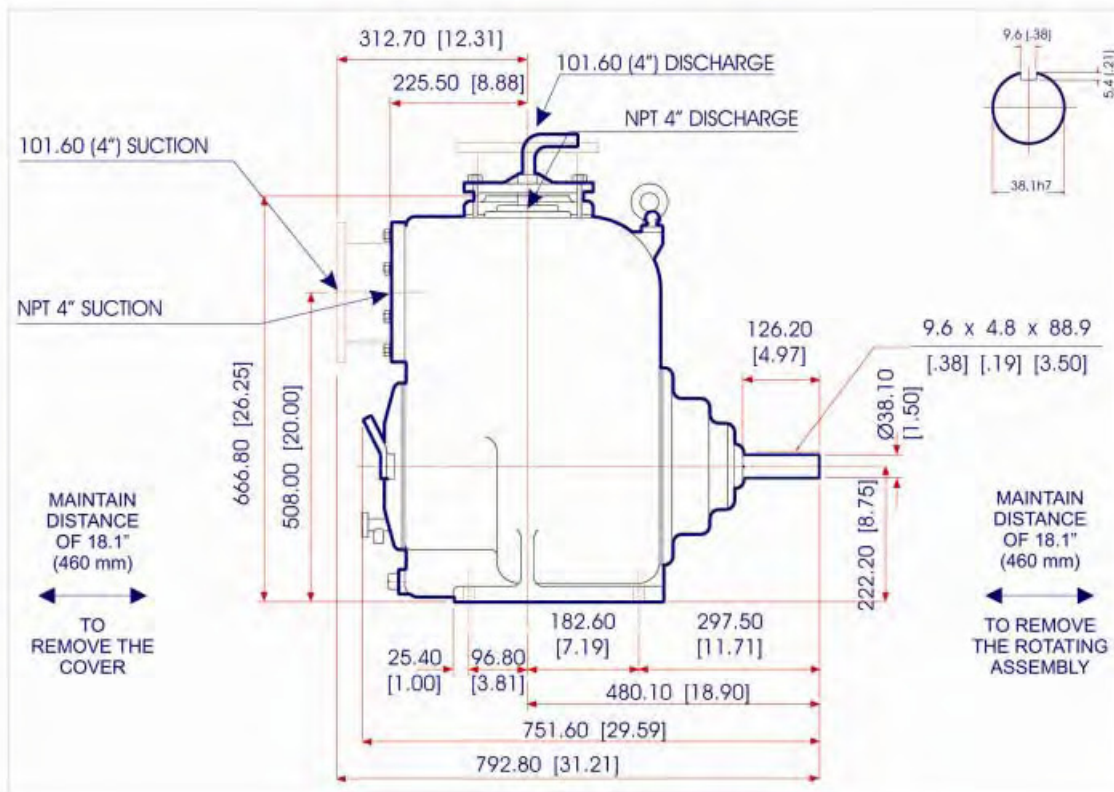
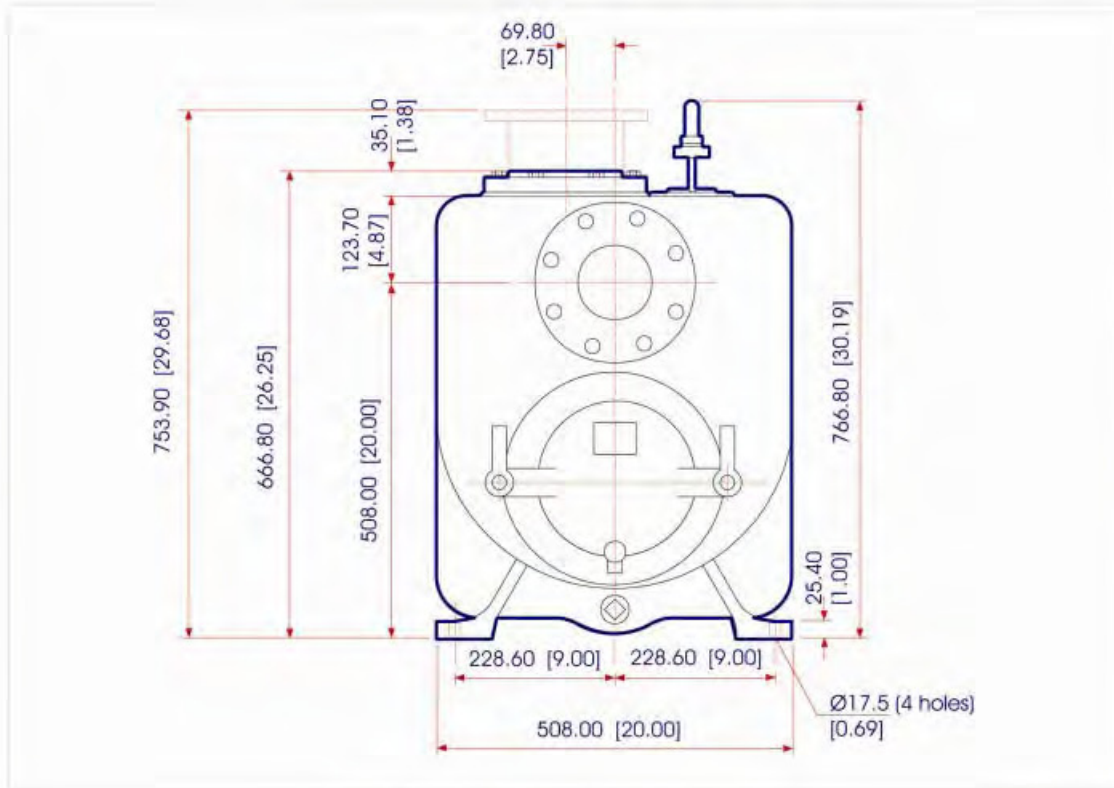
Speed (RPM)	Max Self Priming (m)
850	2.4
1150	3.0
1450	3.6
1750	3.6
1950	4.5
2150	5.2

MODEL
SU4

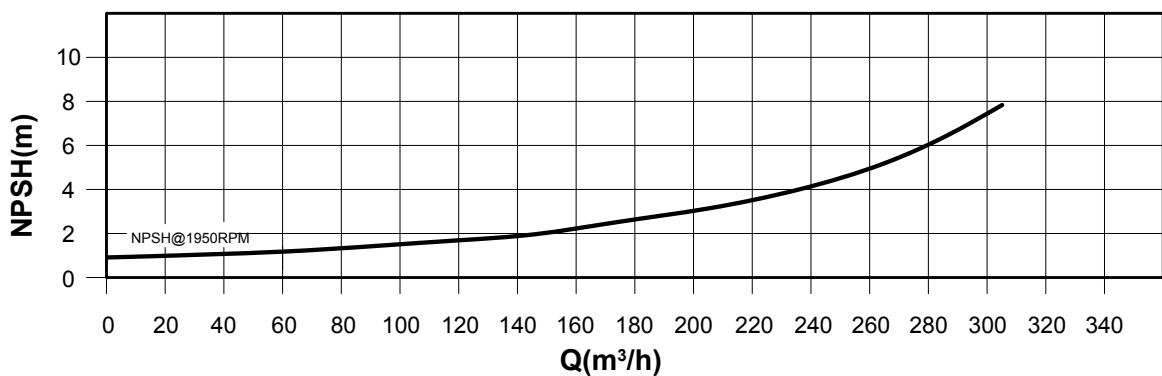
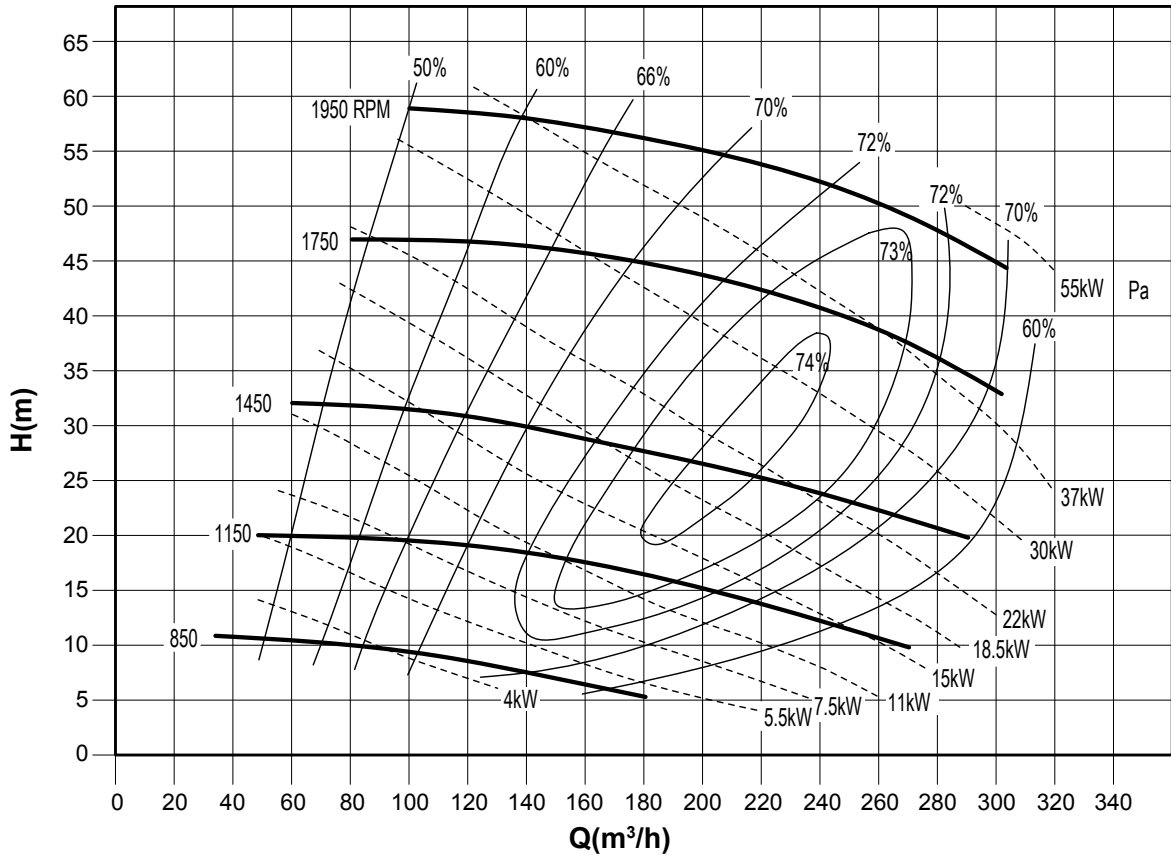
"SU" Series
Self Priming Solids
Handling Trash Pumps

MST

TECHNICAL DATA



PERFORMANCE DATA



Net Weight	413kg
Impeller Dia.	317.5mm
Max. Solids	31.75mm

Speed (RPM)	Max Self Priming (m)
850	2.4
1150	3.0
1450	4.2
1750	4.5
1950	4.5

MODEL
SU6

"SU" Series
Self Priming Solids
Handling Trash Pumps

MST

TECHNICAL DATA

