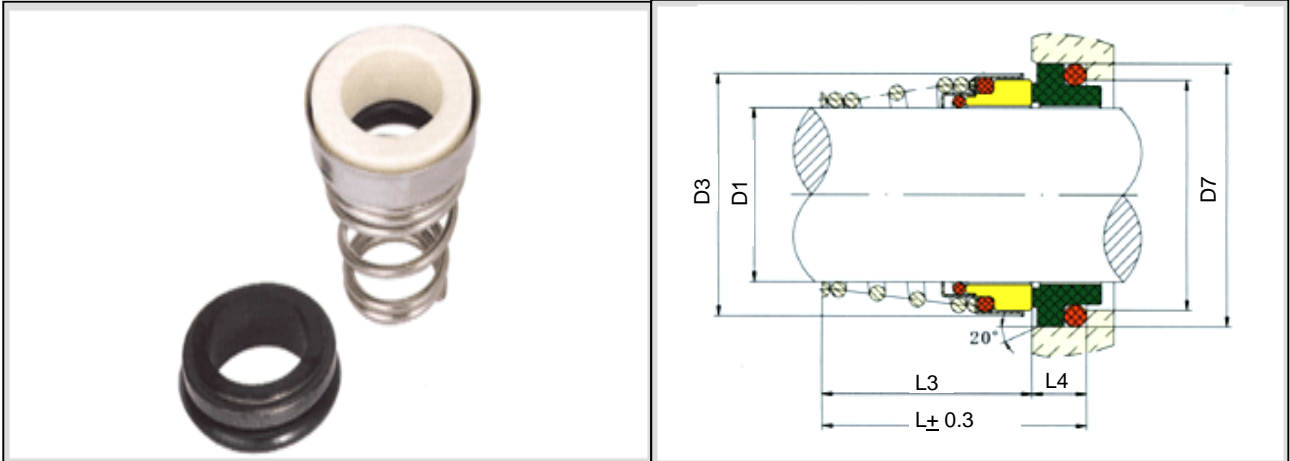


TYPE S3 MECHANICAL SEALS



D1	D3	D7	L3	L4	L= L3+L4
S3-10	20.00	18.10	15.00	5.50	20.50
S3-12	22.00	20.60	18.00	5.50	23.50
S3-14	25.00	23.10	22.00	6.00	28.00
S3-15	29.00	26.90	22.00	7.00	29.00
S3-16	29.00	26.90	23.00	7.00	30.00
S3-17	29.00	26.90	23.00	7.00	30.00
S3-18	33.00	30.90	24.00	8.00	32.00
S3-19	33.00	30.90	25.00	8.00	33.00
S3-20	33.00	30.90	25.00	8.00	33.00
S3-21	38.00	35.40	25.00	8.00	33.00
S3-22	38.00	35.40	25.00	8.00	33.00
S3-23	38.00	35.40	27.00	8.00	35.00
S3-24	38.00	35.40	27.00	8.00	35.00
S3-25	40.00	38.20	27.00	8.50	35.50
S3-28	46.00	43.30	29.00	9.00	38.00
S3-29	46.00	43.30	30.00	9.00	39.00
S3-30	46.00	43.30	30.00	9.00	39.00
S3-32	46.00	43.30	30.00	9.00	39.00
S3-33	48.00	53.50	39.00	11.50	50.50
S3-35	50.00	53.50	39.00	11.50	50.50
S3-38	56.00	60.50	39.00	11.50	50.50
S3-40	58.00	60.50	39.00	11.50	50.50

Operating Parameters:

(Depending on material used)

Temp: -30 C - 200 C.

Pressure: Up to 10 Bar, 145 PSI.

Shaft Speed: Up to 10 m/sec 2000 FPM

Face Combinations:

Carbon, Ceramic, Silicon, Tungsten

Elastomers:

Nitrile, Viton, EPDM.