

KWIKFLO GEAR PUMPS

KGC
KGB



Belt driven.



Direct coupled through reduction gearbox.



Dependable and reliable.

■ KWIKFLO gear pumps have meshed spur type gears which rotate in a casing which close running tolerances at relatively low RPM. Available in cast iron (KGC) or bronze gears (KGB).

■ FEATURES

- Rugged and robust construction
- Wide range of applications
- High Performance
- Temperatures up to 150°C (KGC)
- Mechanical seal*
- Grease lubricated bearings*

■ CONSTRUCTION

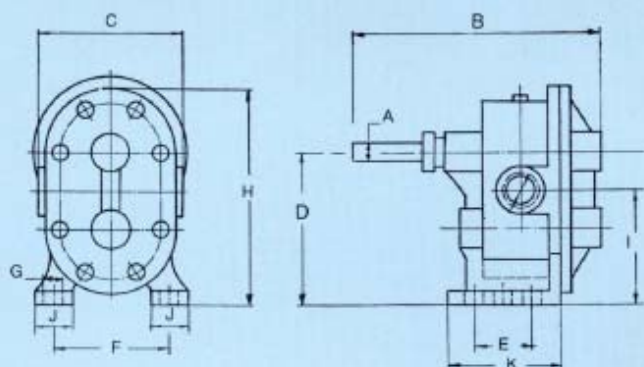
- CASING: Fine grained cast iron
- GEARS: Cast iron (KGC)/bronze (KGB)
- SHAFT: Mild steel
- BEARINGS: Cast iron
- PACKING: Graphite impregnated

* Larger models only (optional)

SPECIFICATIONS

MODEL	KGC-13	KGC-20	KGC-25	KGC-35	KGC-50	KGC-80
PORT DIAMETER	13	20	25	35	50	80
R.P.M.	400	400	400	400	400	400
FLOW RATE (L/MIN)	21	37	55	121	242	455
PRESSURE (kpa)	300	300	300	300	300	300
POWER (kW)	0.25	0.37	0.75	1.5	3	5.5
WEIGHT (kg)	4	6	11	35	45	82

DIMENSIONS



APPLICATIONS

tallows
transformer oil
heating oil
printers ink
paint
bitumen emulsions
molasses
jelly products
fertilizer
dieselene
kerosene
lubricating liquids

	KGC-13	KGC-20	KGC-25	KGC-35	KGC-50	KGC-80
A	18	20	22	20	24	28
B	181	201	247	277	304	401
C	100	110	134	160	210	465
D	87	103	125	164	233	308
E	—	28	33	70	75	90
F	72	94	113	142	168	208
G	2- ϕ 10	4- ϕ 10	4- ϕ 10	4- ϕ 12	4- ϕ 18	4- ϕ 18
H	130	153	187	231	332	439
I	66	78	93	121	168.5	217
J	29	37	41	42	45	45
K	47	57	72	124	130	142

DISTRIBUTED BY: