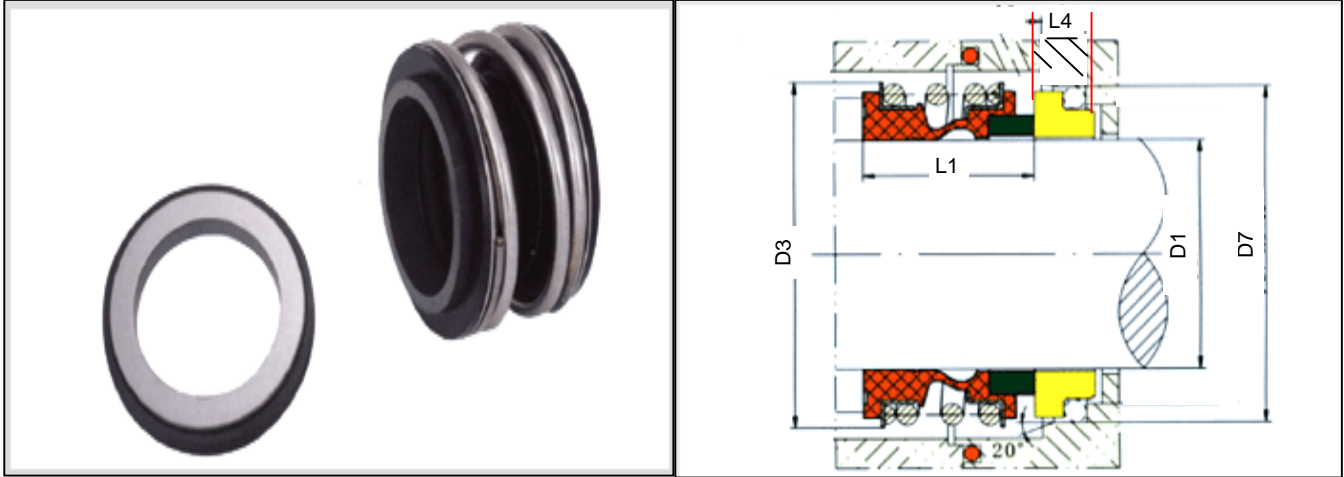


SG1 TYPE MECHANICAL SEALS



D1	D3	D7	L1	L4	L= L1+L4
SG1-14	28.50	25.00	17.00	6.60	23.60
SG1-15	28.50	25.00	17.00	6.60	23.60
SG1-16	28.50	27.00	17.00	6.60	23.60
SG1-18	32.00	33.00	19.50	7.50	27.00
SG1-20	37.00	35.00	21.50	7.50	29.00
SG1-22	37.00	37.00	21.50	7.50	29.00
SG1-24	42.50	39.00	22.50	7.50	30.00
SG1-25	42.50	40.00	23.00	7.50	30.50
SG1-28	49.00	43.00	26.50	7.50	34.00
SG1-30	49.00	45.00	26.50	7.50	34.00
SG1-32	53.50	48.00	27.50	7.50	35.00
SG1-33	53.50	48.00	27.50	7.50	35.00
SG1-35	57.00	50.00	28.50	7.50	36.00
SG1-38	59.00	56.00	30.00	9.00	39.00
SG1-40	62.00	58.00	30.00	9.00	39.00
SG1-43	65.50	61.00	30.00	9.00	39.00
SG1-45	68.00	63.00	30.00	9.00	39.00
SG1-48	70.50	66.00	30.50	9.00	39.50
SG1-50	74.00	70.00	30.50	9.50	40.00
SG1-53	78.50	73.00	33.00	11.00	44.00
SG1-55	81.00	75.00	35.00	11.00	46.00
SG1-58	85.50	78.00	37.00	11.00	48.00
SG1-60	88.50	80.00	38.00	11.00	49.00
SG1-63					
SG1-65	93.50	85.00	40.00	11.00	51.00
SG1-68	96.50	90.00	40.00	11.30	51.30
SG1-70	99.50	92.00	40.00	11.30	51.30
SG1-75	107.00	97.00	40.00	11.30	51.30
SG1-80	112.00	105.00	40.00	12.00	52.00
SG1-85	120.00	110.00	41.00	14.00	55.00
SG1-90	127.00	115.00	45.00	14.00	59.00
SG1-95	132.00	120.00	46.00	14.00	60.00
SG1-100	137.00	125.00	47.00	14.00	61.00

Operating Parameters:

Temp: -30 C - 200 C.
 Pressure: Up to 12 Bar, 174 PSI
 Shaft Speed: Up to 10 m/sec.
 (Depending on material used)

Face Combinations:

Carbon, Ceramic, Silicon, Tungsten

Elastomers:

Nitrile, Viton, EPDM.

Standard seats available are G6, G60, G4, G9