

DEEP WELL PRESSURE PUMPS

Model Numbers: 95D, 125D & 165D

DEPEND ON
DAVEY

WATER PRODUCTS

DEEP WELL JET PUMPS

PRODUCT DESCRIPTION

Rugged, reliable single stage centrifugal pumps with deep well injectors, driven by Davey's TEFC motor. Pump fitted with pressure switch for easy conversion to automatic operation. Automatic demand response valve fitted as standard to protect against loss of prime from over pumping.

APPLICATIONS

Used in conjunction with Deep Well injector kits these pumps are ideal for supplying high pressure water from bores to 42m depth for :-

- Water supply
- Tank filling
- Stock watering
- Sprinkler supply

Pumps can also be used in applications where pump needs to be horizontally offset from the water supply.



Also available in 220 volt 60Hz single phase and for 165D in 380 volt 60Hz three phase.

DESIGN FEATURES

PUMP

1 Stage (Single Impeller).
Marine grade aluminium pump body with Rilsan® lining.
A.D.R. valve fitted.
Pressure switch fitted.
Pressure gauge supplied.

MOTOR

Davey manufactured.
2 pole, 2900rpm, 50Hz.
Class F insulation, IP56.
Permanently split capacitor design for 1Ø motors.
Double contact seal C3, high temperature greased bearings.
Inbuilt thermal overload protection with automatic reset in all 1Ø models.

BENEFITS

- High TEFC - IP rating for long term protection against vermin, dust and water
- Manufactured from quality corrosion resistant materials
- Versatile pump - convertible to match different suction lifts
- Easily converted to automatic operation
- A.D.R. valve guarantees maintenance of minimum pump pressure and protection against loss of prime from over pumping
- Pumping system can be used for 'offset' installations
- 165D available with 3 phase motor
- Low maintenance
- Oring seal hand tightened priming plug for easy operation

OPERATING LIMITS

	95D	125D	165D
Max. suction head (m)	30	36	42
Max. water temp.	50°C	50°C	50°C
Min. water temp.	1°C	1°C	1°C
Pump outlet size	1 1/2" BSP(F)		
Suction pipe sizes	Refer injector kit		

TECHNICAL SPECIFICATIONS

MATERIALS OF CONSTRUCTION

PART	MATERIAL
Suction cover	Aluminium-Rilsan® lined
Pump body	Aluminium-Rilsan® lined
Discharge port	Aluminium-Rilsan® lined
Diffuser	Glass filled Noryl
Backplate	Glass filled Noryl
Impeller	Glass filled polycarbonate
Seal ring (stationary)	Ceramic
Seal ring (rotating)	Carbon
Orings	Nitrile rubber
Priming plug	Nylon
Shaft sleeve	316 stainless steel
Motor shell	Aluminium
Motor shell finish	Polyester powder coat
Capacitor cover	Polypropylene
Terminal box cover	Polypropylene
Mounting feet	Xenoy®

ELECTRICAL DATA

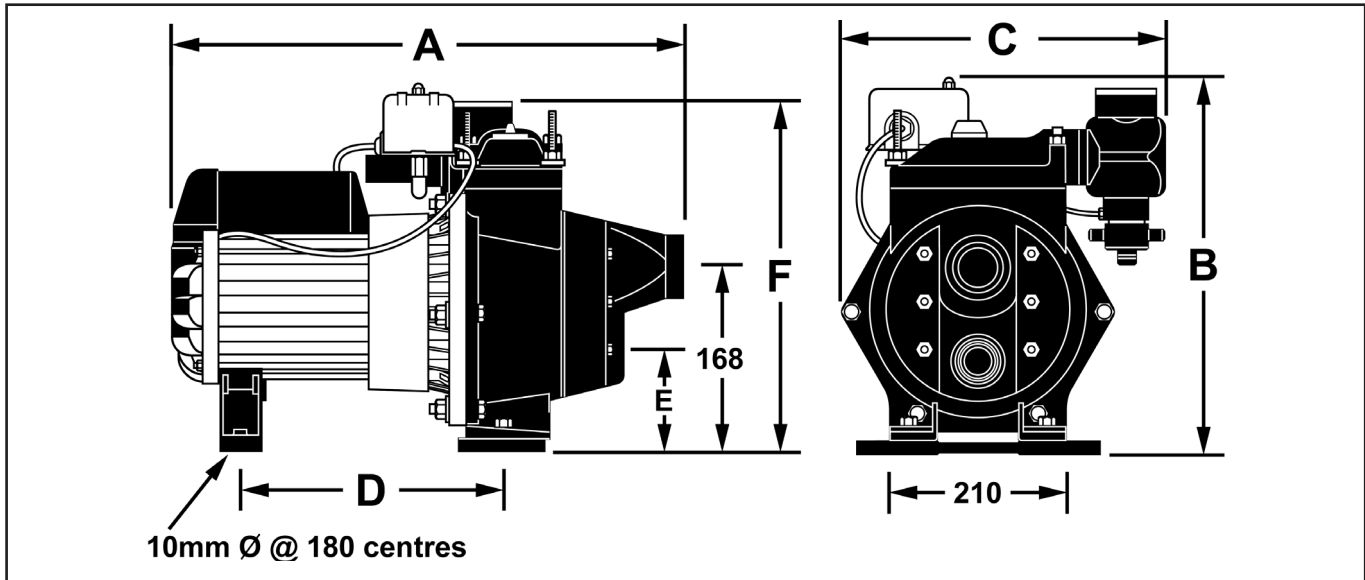
	95D	125D	165D
Supply voltage (1Ø)	220-240	220-240	220-240
Supply voltage (3Ø)	N/A	N/A	380-450
Output power (kW)	1.1	1.4	1.8
Max. rated current @ 240/415V (amps)	7.2	8.5	10/4.2
Locked rotor current @ 240/415V (amps)	21	25	39/24
Insulation class	F	F	F
IP rating	IP56	IP56	IP56
Starting (1Ø)	P.S.C.	P.S.C.	P.S.C.

INSTALLATION & PRIMING

- To prime, fill pump body, suction and pressure pipes and injector through priming plug hole and replace plug.

Note: For complete details consult the installation and operating instructions.

DIMENSIONS



Model	A	B	C	D	E	F	Inlet B.S.P.	Outlet B.S.P.	Net Weight (kg)
95D	455	375	300	210	80	335	1 1/4" & 1 1/2" F	1 1/4" F	22
125D	555	365	300	158	320	230	1 1/4" & 1 1/2" F	1 1/4" F	24.5
165D	555	365	300	158	320	230	1 1/4" & 1 1/2" F	1 1/4" F	25

INJECTOR OD (MAX.)		
Model	To Suit	Max. OD
23100	Nominal 4" Bore	85
23125	Nominal 5" Bore	111

All dimensions in mm unless otherwise stated.

TECHNICAL SPECIFICATIONS

Pump Model	Injector Kit No. Nominal Bore Size	*Max. Shut Off Pressure		Outlet Pressure		Depth to water metres/feet																											
		kPa	psi	kPa	psi	6	9	12	15	18	21	24	27	30	33	36	39	42															
						20	30	39	49	59	69	79	89	98	108	118	128	138															
Output per minute in litres/gallons																																	
95D 1ph 1.6kW *	22469 (4") 100mm	550	80	140	20	85	18.6	73	16.0	64	14.0	55	12.0	46	10.1																		
				280	40	57	12.5	49	10.7	40	8.7	132	7.0	25	5.4																		
				420	60	21	4.6	16	3.5	11	2.4																						
1.1kW ☉ 7.2A	22470 (4") 100mm	645	93	140	20			49	10.7	43	9.4	39	8.5	30	6.5	26	5.7	23	5.0	18	3.9												
				280	40			34	7.4	29	6.3	27	5.9	21	4.6	18	3.9	16	3.5	13	2.8												
				420	60			16	3.5	13	2.8	12	2.6	9	1.9																		
125D 1ph	22471 (4") 100mm	575	83	210	30	96	21.1	85	18.6	73	16.0	60	13.1	51	11.2																		
				280	40	77	16.9	65	14.2	57	12.5	47	10.3	39	8.5																		
				420	60	34	7.4	26	5.7	20	4.3	14	3.0																				
2.1kW *	22472 (4") 100mm	660	96	210	30			63	13.8	55	12.0	49	10.7	42	9.2	36	7.9	29	6.3	25	5.4	22	4.8										
				350	50	39	8.5	34	7.4	29	6.3	24	5.2	21	4.6	18	3.9	14	3.0	11	2.4												
				480	70	19	4.1	16	3.5	12	2.6	10	2.1																				
1.4kW ☉ 8.5A	22570 (5") 125mm	650	94	210	30			87	19.1	80	17.5	70	15.3	61	13.4	53	11.6	45	9.8	37	8.1	32	7.0	27	5.9	21	4.6						
				350	50	56	12.3	51	11.2	43	9.4	37	8.1	33	7.2	23	5.0	19	4.1	15	3.2	11	2.4										
				480	70	29	6.3	26	5.7	21	4.6	17	3.7	13	2.8																		
165D 1ph	22473 (4") 100mm	620	90	210	30	107	23.5	93	20.4	83	18.2	71	15.6	59	12.9	48	10.5																
				350	50	60	13.1	50	10.9	42	9.2	35	7.6	29	6.3	23	5.0																
				480	70	27	5.9	20	4.3	14	3.0	10	2.1																				
2.4kW *	22474 (4") 100mm	635	92	210	30			63	13.8	54	11.8	46	10.1	40	8.7	35	7.6	27	5.9	24	5.2												
				350	50	40	8.7	34	7.4	28	6.1	24	5.2	20	4.3	16	3.5	12	2.6														
				480	70	19	4.1	14	3.0	10	2.1																						
1.8kW ☉ 10.0A	22475 (4") 100mm	750	109	210	30												25	5.4	24	5.2	21	4.6	19	4.1	17	3.7	15	3.2	12	2.6			
				350	50	56	12.3	51	11.2	43	9.4	37	8.1	33	7.2	23	5.0	19	4.1	18	3.9	16	3.5	14	3.0	13	2.8	11	2.4	9	1.9		
				480	70	27	5.9	18	3.9	11	2.4									12	2.6	11	2.4	10	2.1								
3ph	22571 (5") 125mm	590	86	210	30	122	26.8	111	24.4	98	21.5	87	19.1	70	15.3	56	12.3																
				350	50	74	16.2	62	13.6	51	11.2	40	8.7	29	6.3	20	4.3																
				480	70	27	5.9	18	3.9	11	2.4																						
2.3kW *	22572 (5") 125mm	630	91	210	30									64	14.0	57	12.5	49	10.7	42	9.2	37	8.1	31	6.8								
				350	50											38	8.3	33	7.2	28	6.1	24	5.2	20	4.3	15	3.2						
				480	70											18	3.9	14	3.0	10	2.1												
1.8kW ☉ 4.2A	22573 (5") 125mm	540	78	210	30															37	8.1	30	6.5	27	5.9	21	4.6	17	3.7	15	3.2		
				280	40																	30	6.5	27	5.9	22	4.8	18	3.9	14	3.0	10	2.1
				350	50																		21	4.6	17	3.7	13	2.8	10	2.1			

* Input kW (P1)

☉ Output kW (P2)

INSTALLATION NOTES

- Pump outlet: 1 1/4" (32mm) BSPF Female. 'Automatic Demand Response' fitted as standard on all models.
- Suction pipe sizes: 1 1/2" and 1 1/4" I.D. imperial polypipe for injector kit no's 22469 - 22475 and 1 1/2" I.D. imperial polypipe for injector kit no's 22570 - 22573.
- Max. shut off pressures are at shallowest depth to water for each injector. Reduce by 10kPa for every 1 metre of extra depth to water.
- All performances are with injector submergence of 3m and minimum pipe length of 12m.
- All pipe fittings and hose clips are included with deep well injectors.
- For offset applications, performance will be reduced if suction pipe lengths exceed depths indicated for borehole installations.
- Pumps are supplied with pressure switches connected suitable for automatic pressure system operation in conjunction with Davey Supercell pressure tanks.
- To convert litres/min to gallons/hour multiply by 13.2. All imperial data is an approximate of metric figures. Specifications subject to change without notice.
- All single phase models supplied with plug and lead for 220/250 volt 50Hz operation. 3 phase 415 volt available in model 165D.

This literature is not a complete guide to product usage. Further information is available from your Davey dealer, Davey Customer Service Centre and from the relevant product Installation and Operating Instructions. This data sheet must be read in conjunction with the relevant product Installation and Operating Instructions and all applicable statutory requirements. Product specifications may change without notice.

© Davey is a registered trademark of Davey Products Pty Ltd. © Davey Products Pty Ltd 2002.



Visit Davey on-line for further information
davey.com.au

DEPEND ON
DAVEY

WATER PRODUCTS

Davey Water Products Pty Ltd International

Member of the GUD Group
ABN 18 066 327 517
Head Office and Manufacturing

6 Lakeview Drive,
Scoresby, Australia 3179
Ph: +61 3 9730 9222
Fax: +61 3 9753 4100
Website: davey.com.au

Customer Service Centre

Ph: 1300 367 866
Fax: 1300 369 119
E-mail: sales@davey.com.au

Interstate Offices

Sydney • Brisbane • Adelaide
Perth • Townsville

6 Lakeview Drive,
Scoresby, Australia 3179
Ph: +61 3 9730 9121
Fax: +61 3 9753 4248
E-mail: export@davey.com.au

Germany

Kantstrasse 53,
04275 Leipzig
Ph: +49 341 301 0412
Fax: +49 341 301 0413
E-mail: akrenz@daveyeurope.com

New Zealand

7 Rockridge Avenue,
Penrose, Auckland 1330
Ph: +64 9 570 9135
Fax: +64 9 527 7654
Website: daveynz.co.nz
E-mail: sales@daveynz.co.nz

USA - Davey Pumps Inc.

1005 N. Commons Drive
Aurora, Illinois 60504
Ph: +1 630 898 6976
Fax: +1 630 851 7744
Website: daveyusa.com
E-mail: sales@daveyusa.com