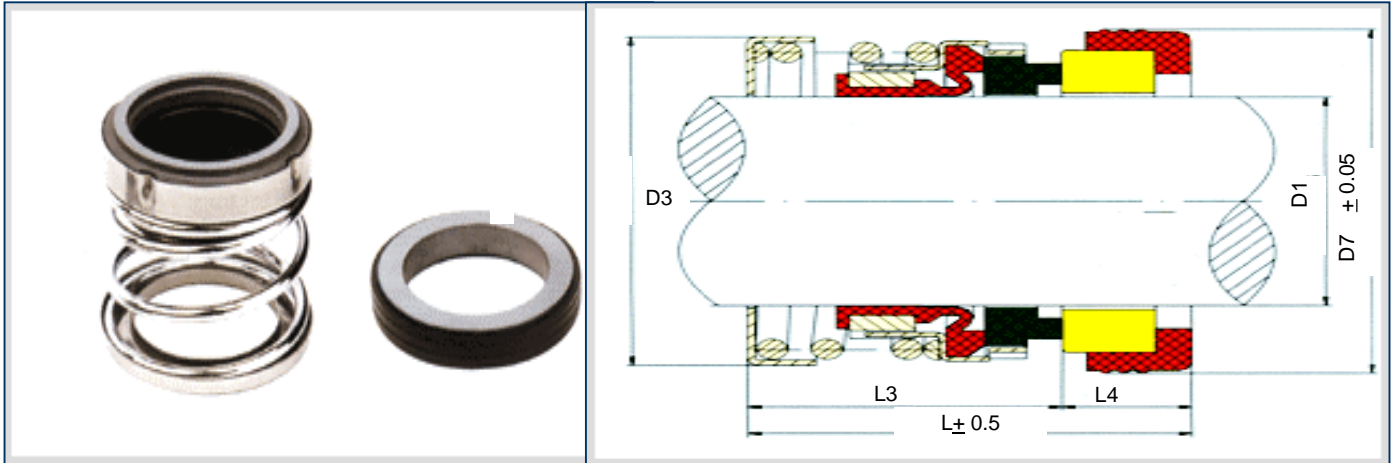


## TYPE 21DIN MECHANICAL SEALS



D1	D3	D7	L3	L4	L= L3+L4
T21-14					
T21-16	26.50	27.00	24.70	10.30	35.00
T21-18	30.50	33.00	27.20	10.30	37.50
T21-20	34.00	35.00	27.20	10.30	37.50
T21-22	34.00	37.00	27.20	10.30	37.50
T21-24	40.00	39.00	29.00	10.30	39.30
T21-25	40.00	40.00	29.00	11.00	40.00
T21-28	44.50	43.00	31.50	11.00	42.50
T21-30	46.50	45.00	31.50	11.00	42.50
T21-32	46.50	48.00	31.50	11.00	42.50
T21-33	50.50	48.00	31.50	11.00	42.50
T21-35	51.50	50.00	31.50	11.00	42.50
T21-38	54.00	56.00	34.00	11.00	45.00
T21-40	58.00	58.00	32.30	12.70	45.00
T21-43	61.50	61.00	32.30	12.70	45.00
T21-45	61.50	63.00	32.30	12.70	45.00
T21-48	65.50	66.00	32.30	12.70	45.00
T21-50	70.50	70.00	34.80	12.70	47.50
T21-53	75.00	73.00	33.30	14.20	47.50
T21-55	75.00	75.00	33.30	14.20	47.50
T21-58	79.00	78.00	38.30	14.20	52.50
T21-60	82.00	80.00	38.30	14.20	52.50
T21-63	85.00	83.00	38.30	14.20	52.50
T21-65	85.00	85.00	36.50	16.00	52.50
T21-68	91.50	90.00	36.50	16.00	52.50
T21-70	91.50	92.00	44.00	16.00	60.00
T21-73	99.00	93.00	44.00	16.00	60.00
T21-75	99.00	97.00	44.00	16.00	60.00

**Operating Parameters:**

Temp: -30 C - 200 C.  
 (Depending on material used)  
 Pressure: Up to 10 Bar, 145 PSI  
 Shaft Speed: Up to 13 m/sec.

**Face Combinations:**

Carbon, Ceramic, Silicon, Tungsten

**Elastomers:**

Nitrile, Viton, EPDM.