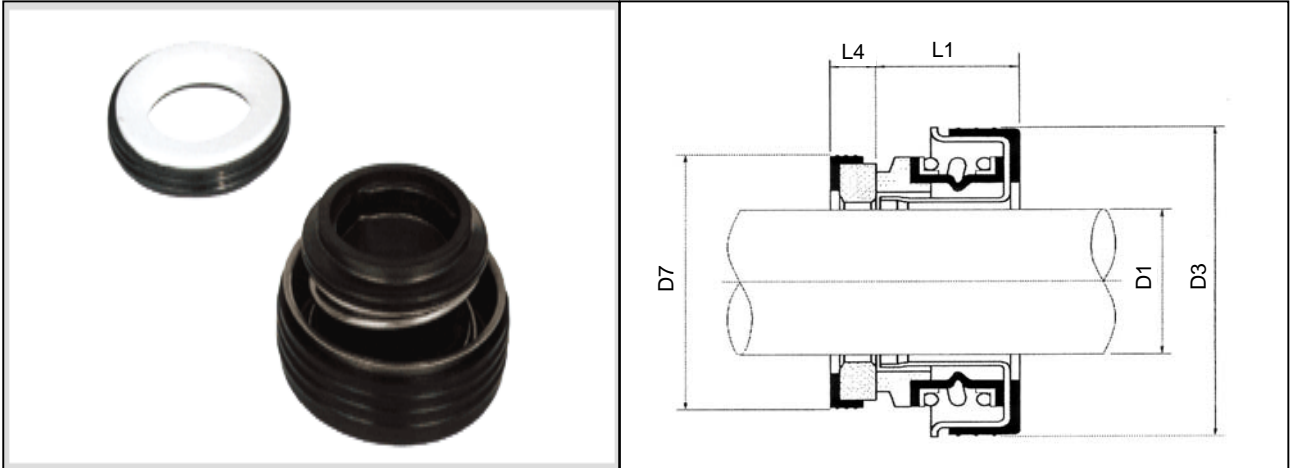


TYPE 7C MECHANICAL SEALS



D1	D3	D7	L1	L4	L= L1+L4
T7C-10	27.00	23.00	14.00	4.00	18.00
T7C-12	32.00	25.00	14.20	5.00	19.20
T7C-16	41.00	31.00	16.80	5.00	21.80
T7C-20	45.00	35.00	17.50	5.00	22.50
T7C-25	52.00	44.00	20.00	11.00	31.00
T7C-30	58.00	48.00	21.00	8.00	29.00

Operating Parameters:

Temp: -30 C - 200 C.

(Depending on Materials used)

Pressure: Up to 4 Bar, 60 PSI.

Shaft Speed: Up to 10 m/sec 2000 FPM

Face Combinations:

Carbon, Ceramic, Silicon, Tungsten

Elastomers:

Nitrile, Viton, EPDM.