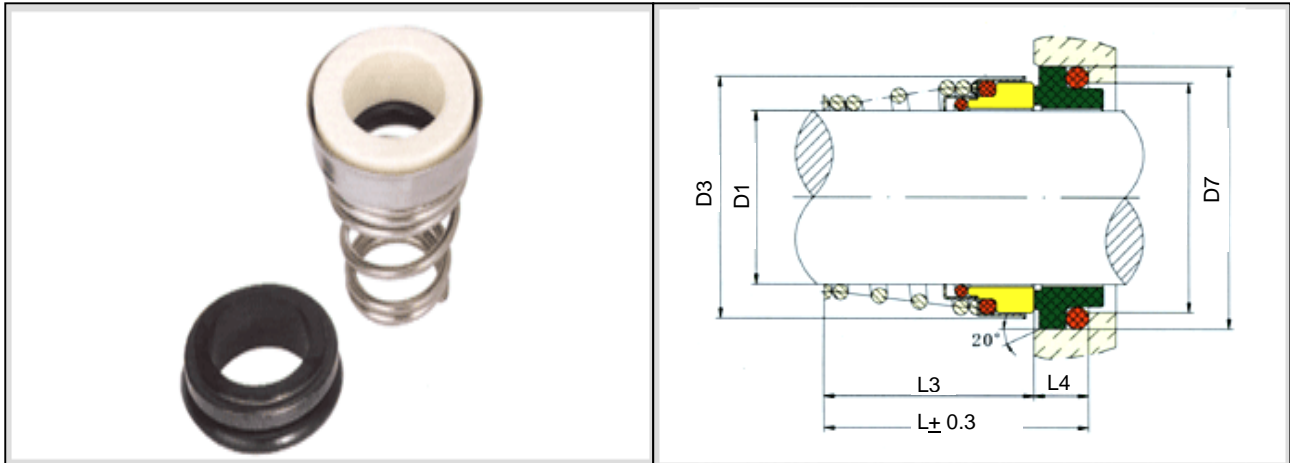


## TYPE S3D MECHANICAL SEALS



D1	D3	D7	L3	L4	L= L3+L4
S3D-10	20.00	21.00	15.00	7.00	22.00
S3D-12	22.00	23.00	18.00	7.00	25.00
S3D-14	25.00	25.00	22.00	7.00	29.00
S3D-16	29.00	27.00	23.00	7.00	30.00
S3D-18	33.00	33.00	24.00	10.00	34.00
S3D-20	33.00	35.00	25.00	10.00	35.00
S3D-22	38.00	37.00	25.00	10.00	35.00
S3D-24	38.00	39.00	27.00	10.00	37.00
S3D-25	40.00	40.00	27.00	10.00	37.00
S3D-28	46.00	43.00	29.00	10.00	39.00
S3D-30	46.00	45.00	30.00	10.00	40.00
S3D-32	46.00	48.00	30.00	10.00	40.00
S3D-33	48.00	48.00	39.00	10.00	49.00
S3D-35	50.00	50.00	39.00	10.00	49.00
S3D-38	58.00	56.00	42.00	13.00	55.00
S3D-40	58.00	58.00	42.00	13.00	55.00

**Operating Parameters:**

Temp: -30 C - 200 C.

(Depending on material used)

Pressure: Up to 10 Bar, 145 PSI.

Shaft Speed: Up to 10 m/sec 2000 FPM

**Face Combinations:**

Carbon, Ceramic, Silicon, Tungsten

**Elastomers:**

Nitrile, Viton, EPDM.